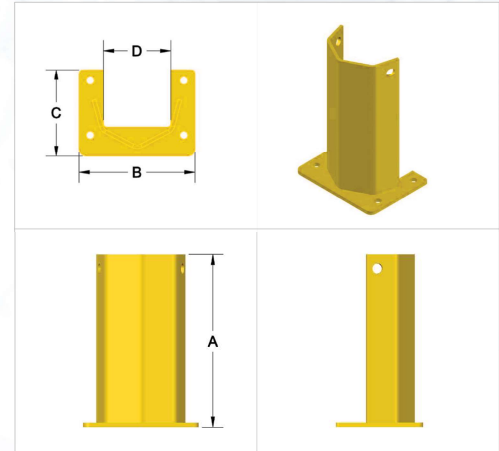
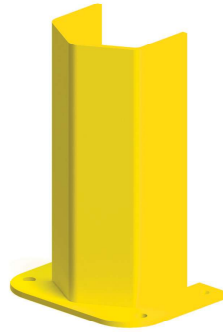


POST PROTECTOR

- Fits all standard rack uprights.
- Choose from standard heights of 12", 18", 24", 36" and 48".
- Four 9/16" mounting holes for 1/2" anchors (not included).
- 12" Post Protector available in standard and heavy duty Model #s.
- Material thickness is 1/4"
- Bright OSHA yellow powder coat finish.
- Hardware not included.
- Special sizes are available for larger rack.



DIMENSION TABLE

P/N	Height (A)	Length (B)	Width (C)	ID (D)	Hole Dia
P-3-6HD	6.000"	6.25"	4.52"	3.25"	0.56"
P-3-12HD	12.000"	6.25"	4.52"	3.25"	0.56"
P-3-18HD	18.000"	6.25"	4.52"	3.25"	0.56"
P-3-24HD	24.000"	6.25"	4.52"	3.25"	0.56"
P-3-36HD	36.000"	6.25"	4.52"	3.25"	0.56"

PEDESTRIAN SAFETY SWING GATE

- Provides easy access to protected equipment.
- Directs personnel to specific locations for safe entry and exiting of aisles used by fork trucks and loading dock areas.
- Designed to be used with our dual rail safety rail system.
- Gates are available in 3' or 4' wide.
- Universal mounting for right or left hand to push in or out.
- Adjustable closing speed and a hold open feature.
- Bright yellow powder coat finish.
- Columns must be purchased separately.
- C2 Column.



Photo above shows GT04 gate with two C2 columns. All installation hardware included.

MODEL # DESCRIPTION

GT03	3' Standard swing gate
GT04	4' Standard swing gate
C2	42" High Dual Column