

EMPTY CONTAINER HANDLER



UP TO 19800 LBS. (10 TON) CAPACITY

SPECIFICATIONS



THD1500-E3-E4 | THD1980-E5-E6-E7-E8

CLASS
5

INTERNAL COMBUSTION ENGINE PNEUMATIC TIRE

ToyotaForklift.com

EMPTY CONTAINER HANDLER

CAPACITY
UP TO 19800 LBS.

WHEELBASE
144 - 180 IN.

LOAD CENTER
97 IN.

INDUSTRIES



Intermodal/Port



Shipping Containers

STANDARD FEATURES

SUPPORT

- Electrical horn
- Asbestos-free components
- Neutral safety switch
- Integrated overhead guard
- Operator Restraint System (ORS) seat
- Operator Presence Sensing System (OPSS)

PERFORMANCE

- CUMMINS[®] 6.7 liter, 6-cylinder Tier 4 Final diesel engine
 - Common rail electronic fuel injection system
 - Turbocharged and intercooled
- Dana model 32000 transmission with 3 forward and 3 reverse speeds
- 3-spool main control valve (lift, tilt, attachment)
- Independent brake & brake/declutch pedals
- Load-sensing, hydrostatic-powered steering
- Load-sensing steering & brake pump
- Upswept exhaust
- WTP blocks
- Side-post attachment with two ISO rear "floating" twistlocks
- Extendable/retractable to 20' & 40' pick points
- Large LED twistlock engagement indicator lights
- Interlock safety system to ensure proper locking
- 24" of side shift each way
- Warning lights
 - Battery charge
 - Low engine oil pressure
 - High transmission oil temperature
 - Park & service brake
- 7" touch-screen multi-function display
 - Fuel gauge
 - Hour meter
 - Speedometer/tachometer
 - Water temperature gauge
 - Engine oil pressure indicator
 - Parking brake indicator
 - DEF fluid indicators
 - Turn signal indicators
 - Estimated load weight indicator
 - Service and operator manuals
 - Pre-operation checklist (upon request)¹
 - Pin code entry system
 - Fuse/relay diagnostics

DURABILITY

- Force-cooled wet disc brakes
- Planetary drive axle rated for durability in high-capacity, off-road applications
- Heavy-duty, welded steer axle
- Rigidly constructed welded frame
- Engine protection system
- High-capacity cooling system
- Open core radiator with fan shroud
- Welded-nested mast rails
- 12-Volt electrical system with 12V starter motor & alternator
- 2 12V batteries, each rated at 925 cold-cranking amps
- 2-Stage heavy-duty air cleaner
- 2-Stage wide visible mast (V)
- Steer axle stabilizer cylinders (ECH5-8 only)

ERGONOMICS/CABIN

- LED forward-facing cab-mounted headlights (4)
- LED forward-facing front fender-mounted headlights (2)
- LED forward-facing, mast-mounted headlights (2)
- LED forward-facing attachment-mounted spreader headlights (2)
- LED rear-facing lights (2)
- Stairway lighting
- Strobe light
- Reverse travel alarm
- Single multifunction joystick control handle
- Key off headlights
- Sideview mirrors (right & left sides)
- Front indicator lights (stop, turn, tail, back up)
- Rear combination lights
- Elevated operator cab (ECH5-8 only)
- Dashless cab design for improved visibility
- Front & rear windshield washer/wiper
- Top-mounted windshield wiper
- Cabin doors with sliding windows
- Individually controlled front/rear wipers
- LED twistlock indicator lights inside cab
- Tilt steering column
- Left-hand directional shift lever
- Adjustable air-ride seat with retractable seat belts
- Lockable doors with greaseable hinges
- Cab heater & defroster
- Tinted glass to minimize glare
- 4 turn lock-to-lock steering wheel

SERVICEABILITY

- Electronic engine diagnostics with fault code history
- Easy-access filters
- Hydraulic multi-gauge
- Externally serviceable brakes
- Hinged engine hood with gas struts
- Bolt-on tanks, counterweights, cab super-structure & stairways (removable)
- External attachment spreader cylinders

¹ Consult your local, authorized Toyota Dealer for customization options and pricing.

OPTIONAL EQUIPMENT

POWERTRAIN

- Precleaner
- Fitch fuel catalyst

LOAD HANDLING

- Hydraulic pile slope
- 2-Point side post – twin pick ISO – hook
- 4-Point top pick ISO – twistlock

COLD START AID

- Oil pan heater
- Hydraulic tank heater
- Coolant preheater
- Engine block heater
- Battery pad warmer

CAB/CONTROLS

- Open cab (less doors, glass, wipers, heat)
- Top sunshade
- Auxiliary heater/front defrost
- Air-conditioning
- Rear sunshade
- Cab tilt
- AM/FM/CD with 2 speakers
- Single joystick control
- 3-point seatbelt
- Auxiliary 12V power supply (pass through studs)
- Orange seatbelt
- Floor-mounted computer stand

CHASSIS

- Bellypan kit

INDICATORS & MISC.

- Forward camera system visibility aid
- Fire extinguisher (5 lb. cab mount)
- Shock sensor warning system (with logging)
- Rear camera system visibility aid
- Fire extinguisher (20 lb. chassis mount)
- Tire pressure monitoring system
- Dual camera system visibility aid
- Fire suppression system
- French canadian language
- Onboard load weighing system
- - twin agent auto/manual
- 2nd position keyswitch twistlock override
- Onboard load weighing system (with tape printer)
- Rear object detection radar
- 4-Corner object detection radar
- Ground level E-Stop stations (1 each side)

HYDRAULIC

- Lift accumulator
- Tilt accumulator

ELECTRICAL

- Jumpstart receptacle
- Lockable battery isolator

LIGHTS/ALARMS

- Various HID work light upgrade options
- Extra strobe (magnetic)
- Forward travel alarm

SERVICE/MAINTENANCE

- Central lubrication system
- Auto-lubrication system (Spreader)
- Onboard battery trickle charger
- Auto-lubrication system (Chassis)
- Engine oil purification system

PAINT

- Custom color (single or dual)
- Chevron striping on counterweight
- Intermodal tire striping

WHEELS & TIRES

- Pneumatic
- Foam-filled pneumatic tires
- Solid pneumatic tires

TRUCK SPECIFICATIONS

MODEL NUMBERS

GENERAL DATA			THD1500-E3	THD1500-E4	THD1980-E5	
Load Capacity (8'6" containers / max. height)	lb (kg)		15000 (6804) / 3-high	15000 (6804) / 4-high	19800 (8981) / 5-high	
Load Capacity (9'6" containers / max. height)	lb (kg)		15000 (6804) / 3-high	15000 (6804) / 4-high	19800 (8981) / 4-high	
Load Center	in (mm)		97 (2464)	97 (2464)	97 (2464)	
Power Type			Diesel	Diesel	Diesel	
Operator Position			Seated Rider	Seated Rider	Seated Rider	
Tire Type	Front / Rear		Pneumatic	Pneumatic	Pneumatic	
Wheels (x = driven)	Front / Rear		4x / 2	4x / 2	4x / 2	
EXTERIOR DIMENSIONS			THD1500-E3	THD1500-E4	THD1980-E5	
A Mast Extended Height	in (mm)		390 (9906)	504 (12802)	558 (14173)	
Free Lift	in (mm)		0 (0)	0 (0)	0 (0)	
B Height to Top of Attachment (lowered) (T x W x L)	in (mm)		110 (2794)	110 (2794)	105 (2667)	
C Height to Top of Twistlock (lowered)	in (mm)		88 (2235)	88 (2235)	85 (2159)	
D Tilt Range (forward / backward)	deg		3/5	3 / 5	3 / 5	
E Overall Width	in (mm)		157 (3981)	157 (3981)	162 (4115)	
F Mast Lowered Height	in (mm)		233 (5918)	290 (7366)	328 (8331)	
G Overhead Guard Height (top of cab)	in (mm)		168 (4267)	168 (4267)	210 (5334)	
H Turning Radius (outside)	in (mm)		218 (5537)	218 (5537)	242 (6147)	
I Turning Radius (with 40 ft. container)	in (mm)		365 (9271)	365 (9271)	349 (8865)	
J Length to Load Face (centerline of front axle to front face of attachment)	in (mm)		50 (1270)	50 (1270)	51 (1295)	
K Length to Load (centerline of front axle to center of load)	in (mm)		98 (2489)	98 (2489)	99 (2515)	
Overall Truck Length	in (mm)		232 (5893)	232 (5893)	277 (7036)	
L Basic Right-Angle Stacking Aisle Width (includes 24" safety margin) 20 ft. / 40 ft. Cont.	in (mm)		429 (10897) / 535 (13589)	429 (10897) / 535 (13589)	416 (10566) / 559 (14198)	
TIRES			THD1500-E3	THD1500-E4	THD1980-E5	
Tires	Number (front / rear)		4/2	4 / 2	4 / 2	
	Size (front / rear)		12-24 x 20PR / 12-24 x 20PR	12-24 x 20PR / 12-24 x 20PR	14-24 x 20PR / 14-24 x 20PR	
Wheelbase	in (mm)		144 (3658)	144 (3658)	180 (4572)	
M Tread Width (front)	in (mm)		129 (3277)	129 (3277)	129 (3277)	
N Tread Width (rear)	in (mm)		79 (2007)	79 (2007)	92 (2337)	
O Underclearance (full load)	Minimum with Load	in (mm)	13 (330)	13 (330)	13 (330)	
	Center of Wheelbase	in (mm)	14 (356)	14 (356)	16 (406)	
P Brake	Service (foot) / Parking		Wet disc / Caliper	Wet disc / Caliper	Wet disc / Caliper	
POWER SYSTEM			THD1500-E3	THD1500-E4	THD1980-E5	
Battery (5-hour rating)	V / Ah		12 / TBD	12 / TBD	12 / TBD	
Internal Combustion Engine	Make / Model		CUMMINS 6.7L QSB	CUMMINS 6.7L QSB	CUMMINS 6.7L QSB	
	Rated Horsepower @ rpm	SAE HP		164 @ 2500	164 @ 2500	260 @ 2500
		(kW)		(122 @ 2500)	(122 @ 2500)	(193 @ 2500)
	Rated Torque @ rpm	SAE ft-lb		540 @ 1500	540 @ 1500	730 @ 1500
		(N-m)		(732 @ 1500)	(732 @ 1500)	(989 @ 1500)
	Number of Cylinders			6	6	6
	Piston Displacement	cu in (cc)		409 (6702)	409 (6702)	409 (6702)
Fuel Tank Capacity	US gal (liter)		148 (560.2)	148 (560)	115 (435)	
Transmission	Type		POWERSHIFT - AUTOSHIFT	POWERSHIFT - AUTOSHIFT	POWERSHIFT - AUTOSHIFT	
	Speeds (forward / reverse)		3 / 3	3 / 3	3 / 3	
Auxiliary Hydraulic Function Specifications (for attachments)	Max. Operating Pressure	psi (kg/cm ²)	3125 (219.7)	3125 (219.7)	3125 (219.7)	
	Max. Flow Rate	gpm (lpm)	25 (94.6)	—	—	

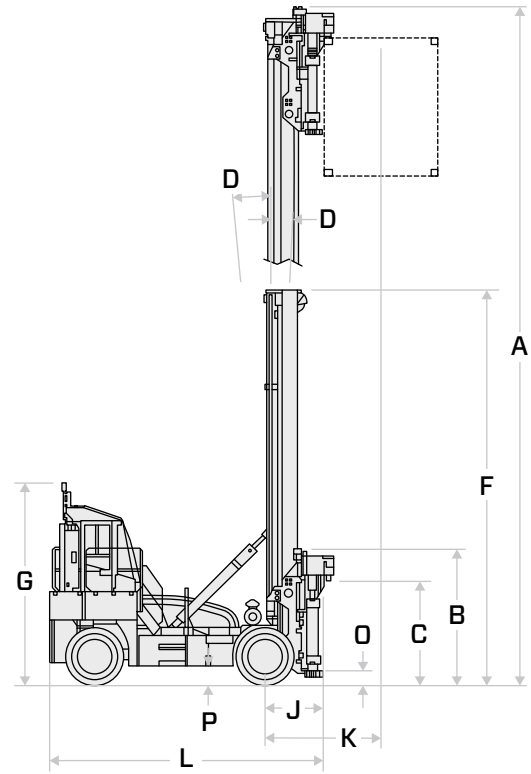
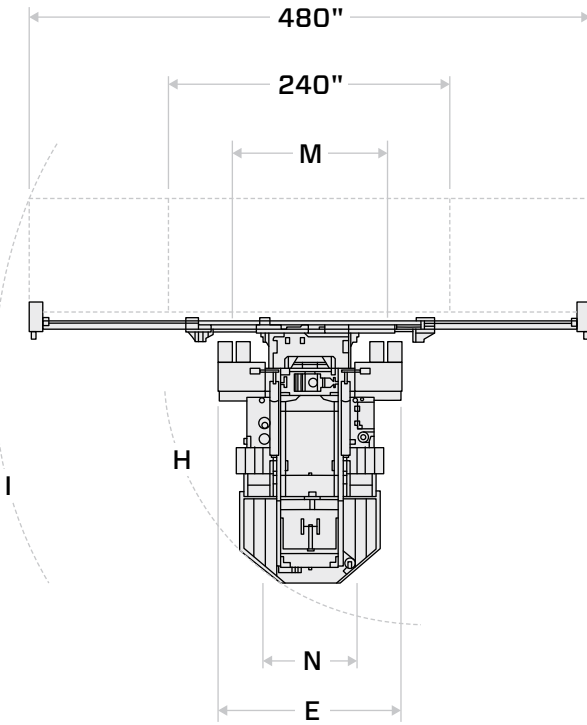
TRUCK SPECIFICATIONS

MODEL NUMBERS

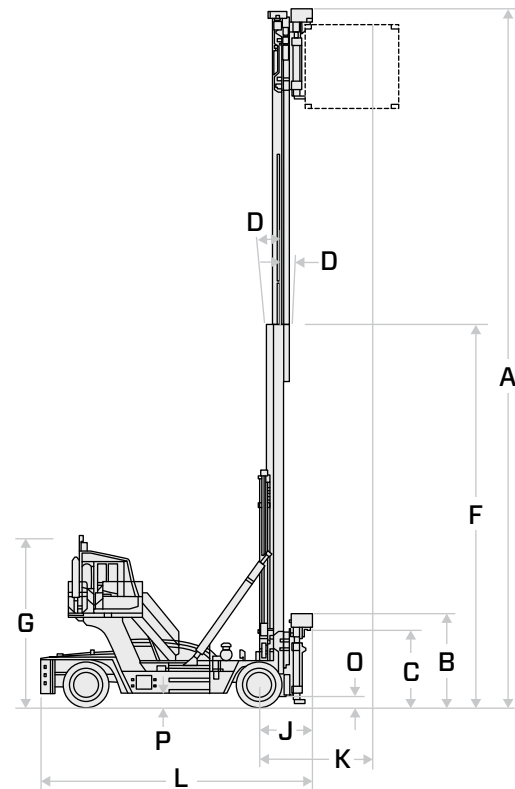
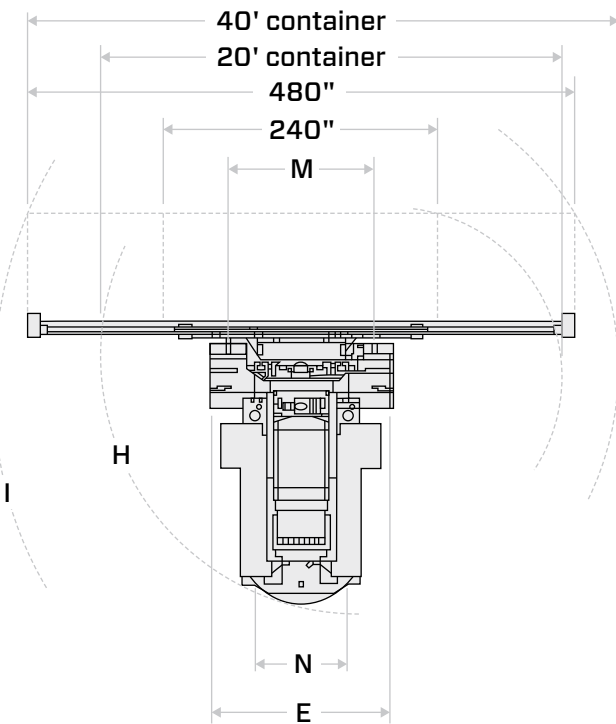
GENERAL DATA			THD1980-E6	THD1980-E7	THD1980-E8
Load Capacity (8'6" containers / max. height)	lb (kg)		19800 (8981) / 6-high	19800 (8981) / 7-high	19800 (8981) / 8-high
Load Capacity (9'6" containers / max. height)	lb (kg)		19800 (8981) / 5-high	19800 (8981) / 6-high	19800 (8981) / 7-high
Load Center	in (mm)		97 (2464)	97 (2464)	97 (2464)
Power Type			Diesel	Diesel	Diesel
Operator Position			Seated Rider	Seated Rider	Seated Rider
Tire Type	Front / Rear		Pneumatic	Pneumatic	Pneumatic
Wheels (x = driven)	Front / Rear		4x / 2	4x / 2	4x / 2
EXTERIOR DIMENSIONS			THD1980-E6	THD1980-E7	THD1980-E8
A Mast Extended Height	in (mm)		660 (16764)	762 (19355)	861 (21946)
Free Lift	in (mm)		0 (0)	0 (0)	0 (0)
B Height to Top of Attachment (lowered) (T x W x L)	in (mm)		105 (2667)	105 (2667)	105 (2667)
C Height to Top of Twistlock (lowered)	in (mm)		85 (2159)	85 (2159)	85 (2159)
D Tilt Range (forward / backward)	deg		3 / 5	3 / 5	3 / 5
E Overall Width	in (mm)		162 (4115)	182 (4623)	182 (4623)
F Mast Lowered Height	in (mm)		379 (9627)	430 (10922)	481 (12217)
G Overhead Guard Height (top of cab)	in (mm)		210 (5334)	210 (5334)	210 (5334)
H Turning Radius (outside)	in (mm)		242 (6147)	242 (6147)	242 (6147)
I Turning Radius (with 40 ft. container)	in (mm)		349 (8865)	349 (8865)	349 (8865)
J Length to Load Face (centerline of front axle to front face of attachment)	in (mm)		51 (1295)	51 (1295)	51 (1295)
K Length to Load (centerline of front axle to center of load)	in (mm)		99 (2515)	99 (2515)	99 (2515)
Overall Truck Length	in (mm)		277 (7036)	277 (7036)	277 (7036)
L Basic Right-Angle Stacking Aisle Width (includes 24" safety margin) 20 ft. / 40 ft. Cont.	in (mm)		416 (10566) / 559 (14198)	416 (10566) / 559 (14198)	416 (10566) / 559 (14198)
TIRES			THD1980-E6	THD1980-E7	THD1980-E8
Tires	Number (front / rear)		4 / 2	4 / 2	4 / 2
	Size (front / rear)		14-24 x 20PR / 14-24 x 20PR	14-24 x 20PR / 14-24 x 20PR	14 x 20PR / 14-24 x 20PR
Wheelbase	in (mm)		180 (4572)	180 (4572)	180 (4572)
M Tread Width (front)	in (mm)		129 (3277)	149 (3785)	149 (3785)
N Tread Width (rear)	in (mm)		92 (2337)	92 (2337)	92 (2337)
O Underclearance (full load)	Minimum with Load	in (mm)	13 (330)	13 (330)	13 (330)
	Center of Wheelbase	in (mm)	16 (406)	16 (406)	16 (406)
P Brake	Service (foot) / Parking		Wet disc / Caliper	Wet disc / Caliper	Wet disc / Caliper
POWER SYSTEM			THD1980-E6	THD1980-E7	THD1980-E8
Battery (5-hour rating)	V / Ah		12 / TBD	12 / TBD	12 / TBD
Internal Combustion Engine	Make / Model		CUMMINS 6.7L QSB	CUMMINS 6.7L QSB	CUMMINS 6.7L QSB
	Rated Horsepower @ rpm	SAE HP	260 @ 2500	260 @ 2500	260 @ 2500
		(kW)	(193 @ 2500)	(193 @ 2500)	(193 @ 2500)
	Rated Torque @ rpm	SAE ft-lb	730 @ 1500	730 @ 1500	730 @ 1500
		(N-m)	(989 @ 1500)	(989 @ 1500)	(989 @ 1500)
	Number of Cylinders		6	6	6
	Piston Displacement	cu in (cc)	409 (6702)	409 (6702)	409 (6702)
Fuel Tank Capacity	US gal (liter)	115 (435)	115 (435)	115 (435)	
Transmission	Type		POWERSHIFT - AUTOSHIFT	POWERSHIFT - AUTOSHIFT	POWERSHIFT - AUTOSHIFT
	Speeds (forward / reverse)		3 / 3	3 / 3	3 / 3
Auxiliary Hydraulic Function Specifications (for attachments)	Max. Operating Pressure	psi (kg/cm ²)	3125 (219.7)	3125 (219.7)	3125 (219.7)
	Max. Flow Rate	gpm (lpm)	—	—	—

EXTERIOR DIMENSIONS

THD1500-E3-E4



THD1980-E5-E6-E7-E8



MAST SPECIFICATIONS

MAST TYPE	MAST EXTENDED HEIGHT in (mm)	MAST LOWERED HEIGHT in (mm)	FREE-LIFT in (mm)	TILT RANGE		LOAD CAPACITY	
				FWD	BWD	W/ 8'6" CONTAINERS	W/ 9'6" CONTAINERS
				deg	deg	lb (kg)	lb (kg)
THD1500-E3							
Wide Visible (V)	390 (9906)	233 (5918)	0 (0)	3	5	15000 (6804) / 3-high	15000 (6804) / 3-high
THD1500-E4							
Wide Visible (V)	504 (12802)	290 (7366)	0 (0)	3	5	15000 (6804) / 4-high	15000 (6804) / 4-high
THD1980-E5							
Wide Visible (V)	558 (14173)	328 (8331)	0 (0)	3	5	19800 (8981) / 5-high	19800 (8981) / 4-high
THD1980-E6							
Wide Visible (V)	660 (16764)	379 (9627)	0 (0)	3	5	19800 (8981) / 6-high	19800 (8981) / 5-high
THD1980-E7							
Wide Visible (V)	762 (19355)	430 (10922)	0 (0)	3	5	19800 (8981) / 7-high	19800 (8981) / 6-high
THD1980-E8							
Wide Visible (V)	861 (21946)	481 (12217)	0 (0)	3	5	19800 (8981) / 8-high	19800 (8981) / 7-high

Some product features described herein are optional. Please consult your dealer for specifications.
Details of specifications and equipment are based on information available at time of printing and may change without notice.

